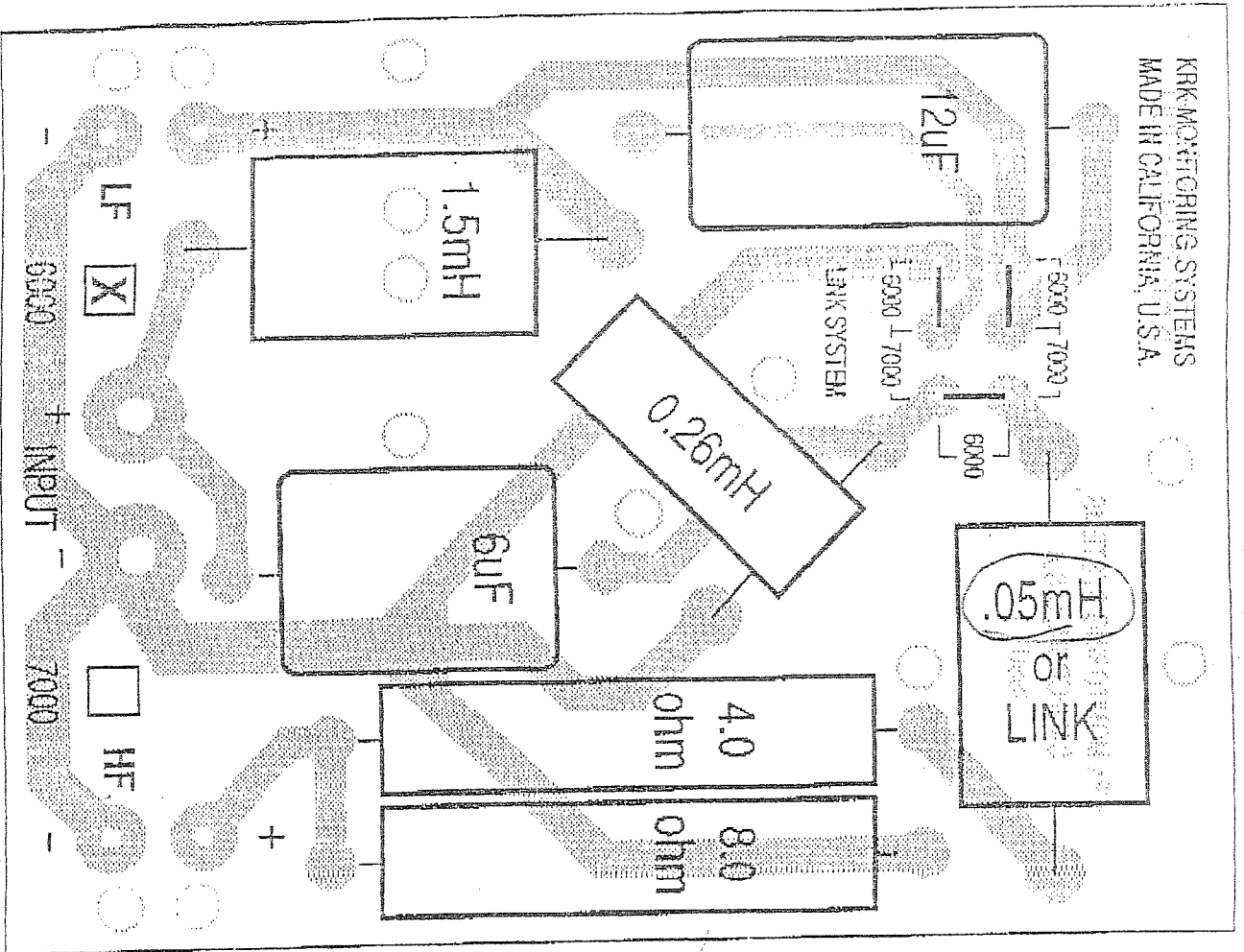
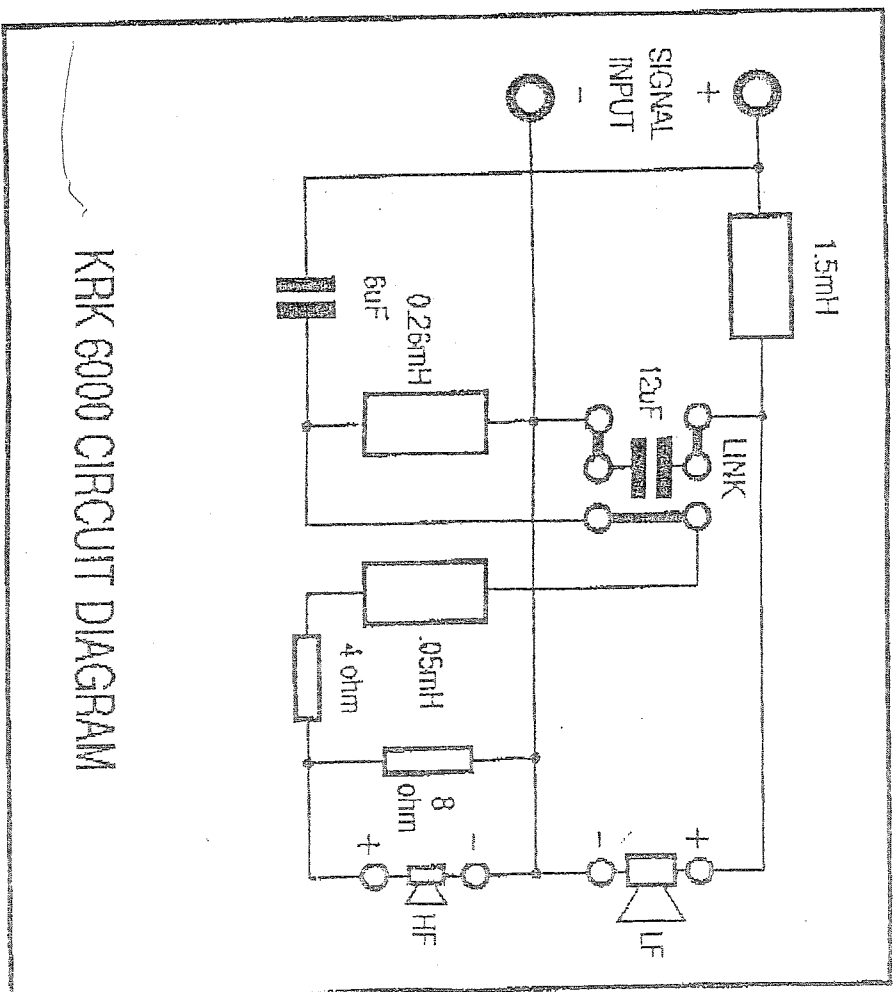


KRK MOTORING SYSTEMS
MADE IN CALIFORNIA, U.S.A.

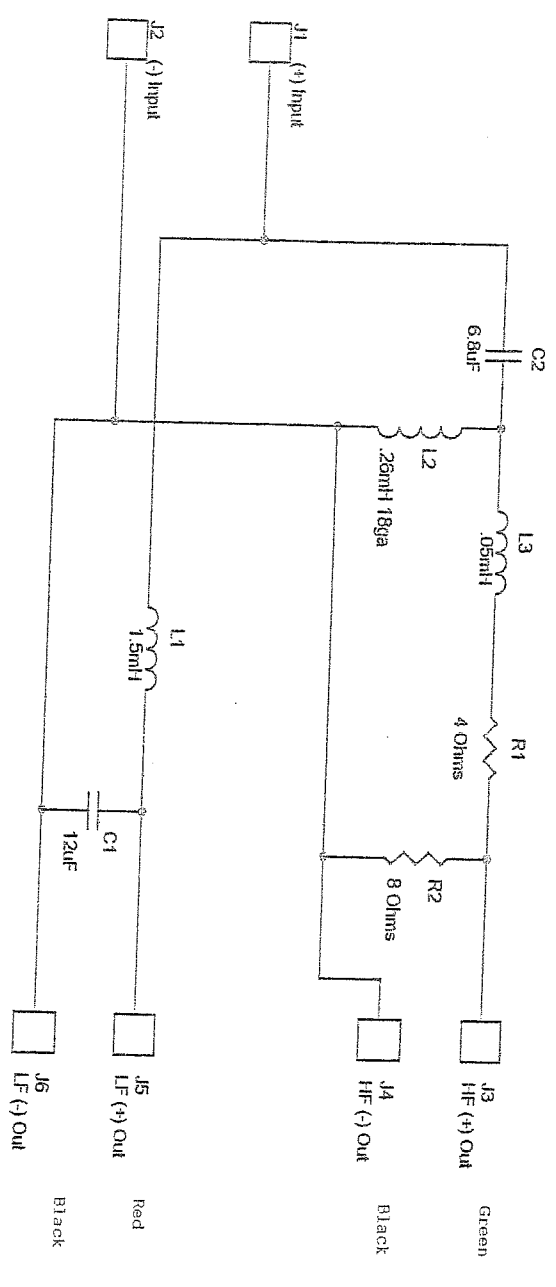


KRK 6000 COMPONENT & LINK LOCATION



KRK 6000 CIRCUIT DIAGRAM

60050



Capacitors are 250V 5% Polypropylene
 Resistors are 5% 10 Watt Wire-Wound
 Inductors are 18ga

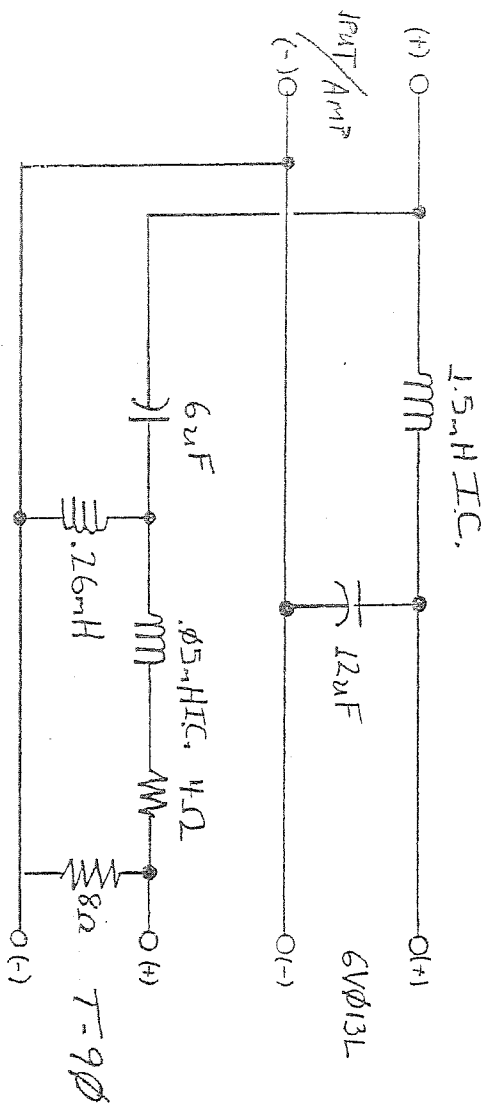
Speaker wires are 18" of 18ga
 Terminations are .250 x .032
 Quick-Disconnects

KRK Systems, LLC 5452 Business Drive Huntington Beach, CA 92649
 Drawn By = L. Altman

Title	Schematic, 6000	
Size	Document Number	Rev
A	SD-030000-00	1
Date:	Thursday, April 05, 2001	Sheet 1 of 1

TUAN AU 4/6/01

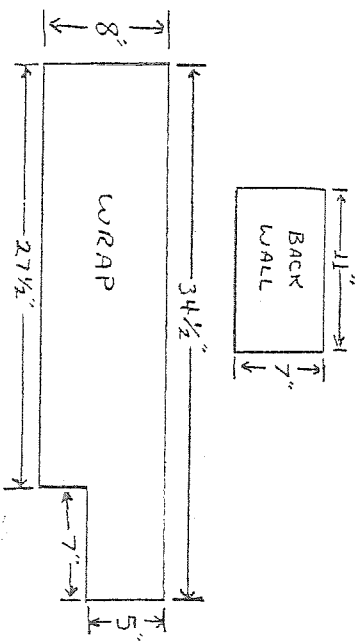
BOOK



WIRE LENGTHS 18"

TWEETERS SECURED w/ 6x1 BUNGLE HEAD
WOOFERS SECURED w/ 4/8 - 5/8" PAN HEAD

DAMPENING



RESISTORS 10W 5% WIRE WOUND

CAPACITORS 250V POLYPROPYLENE 5% (A6, 8µF USED AS 6µF)

INDUCTORS .18ga IRON CORE (EXCEPT .26mH. FREE AIR CORE)