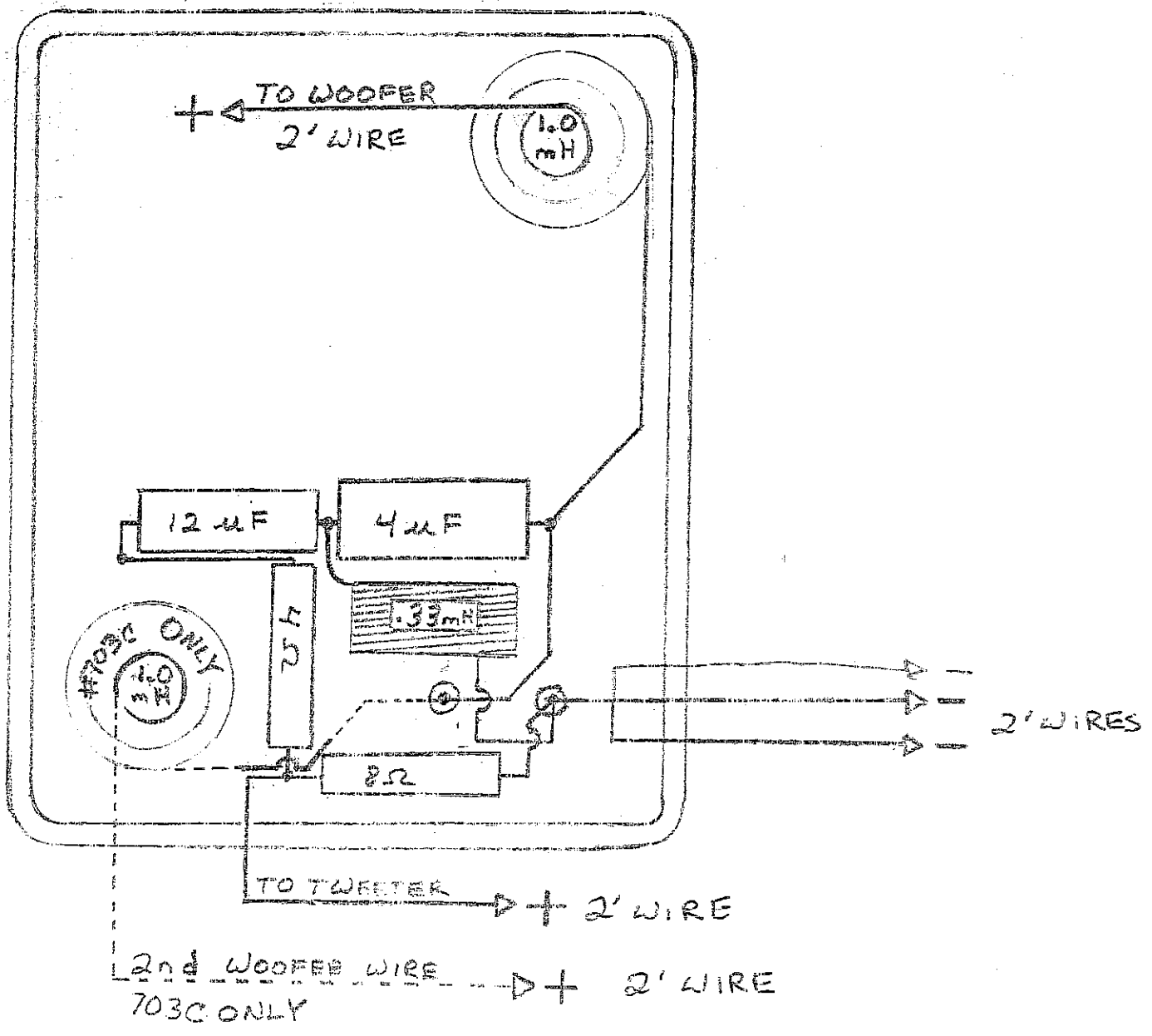
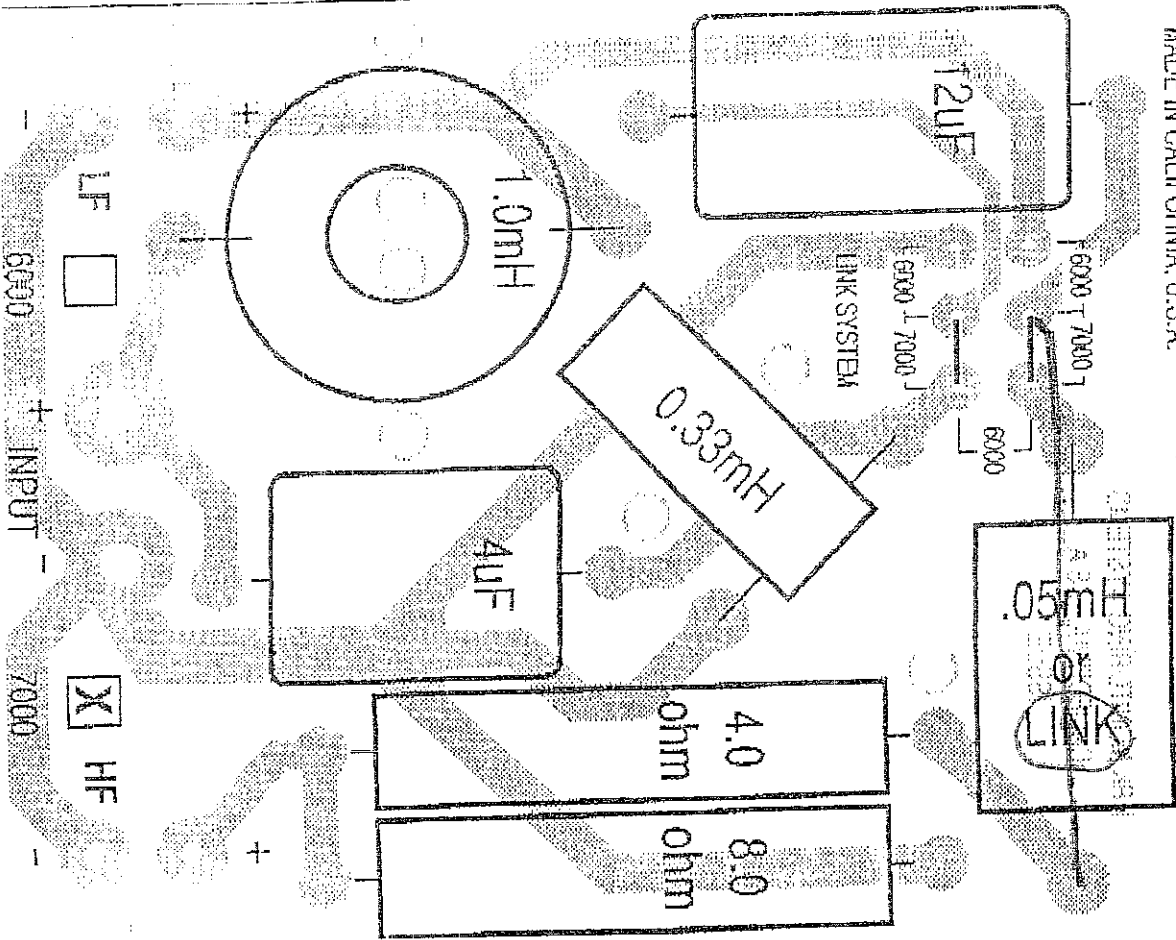


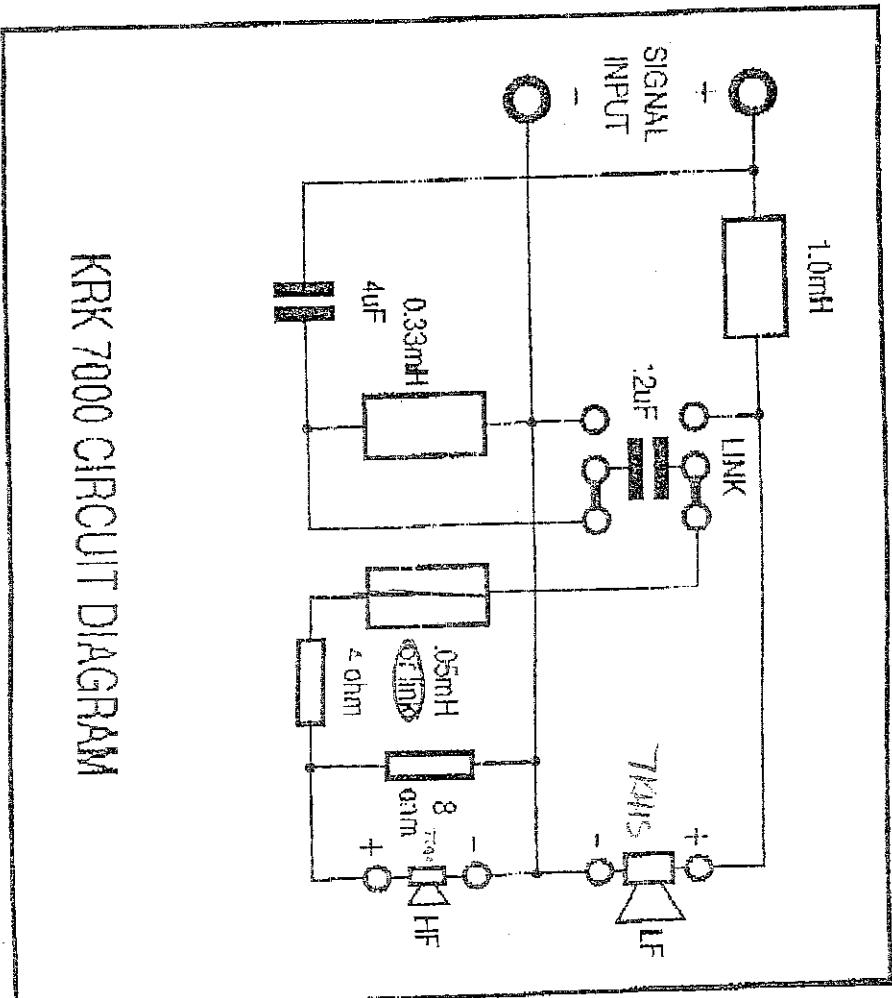
7000 & 703C CROSSOVER COMPONENT LAYOUT



KRK MONITORING SYSTEMS
MADE IN CALIFORNIA, U.S.A.

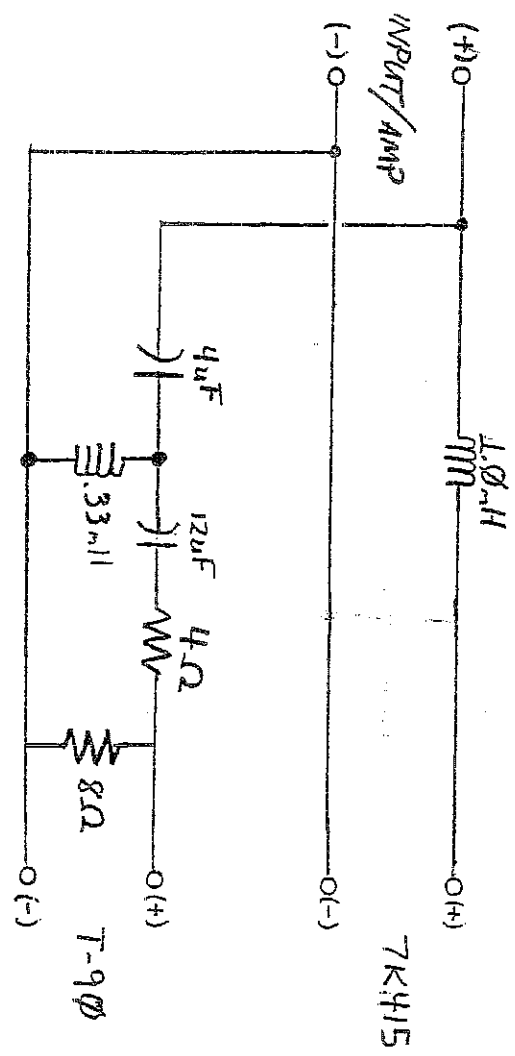


KRK 7000 COMPONENT & LINK LOCATION



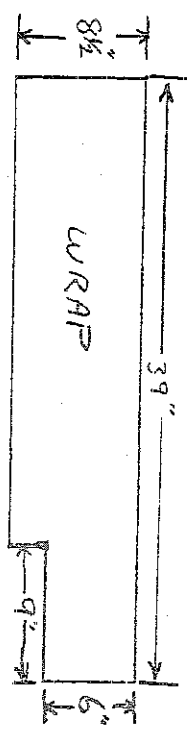
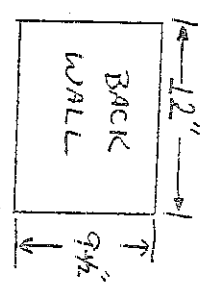
KRK 7000 CIRCUIT DIAGRAM

7000B

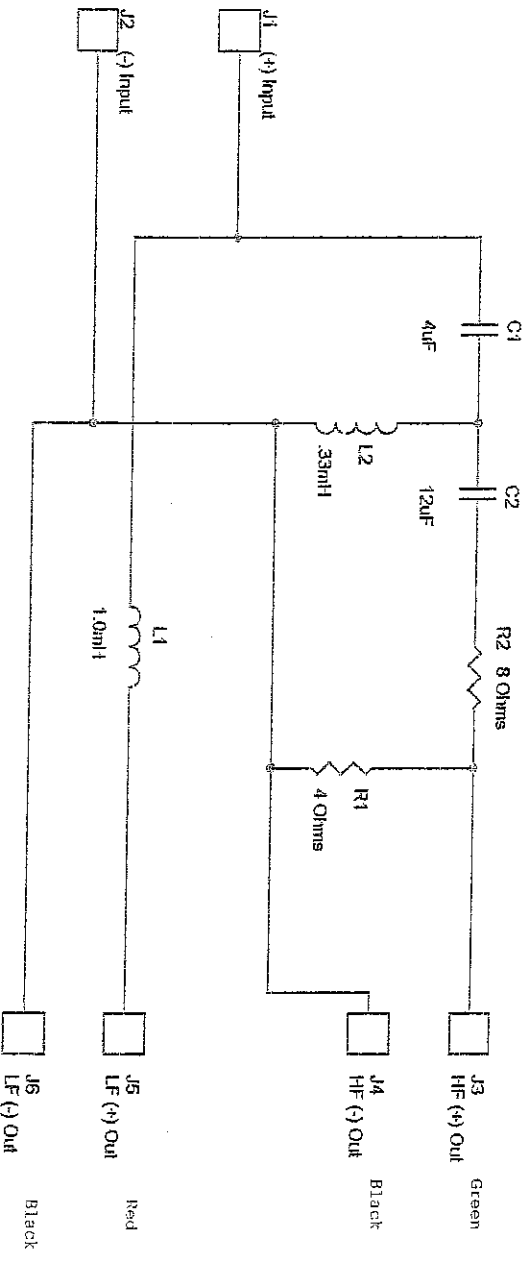


WIRE LENGTHS 18"
 TWEETERS SECURED w/# 6 x 1" BUGLE HEAD
 WOODENERS SECURED w/#10 x 5/8 PAN HEAD

DAMPENING



- RESISTORS 10W 5% WIREWOUND
- CAPACITORS 250V 5% POLYPROPYLENE
- INDUCTORS .18ga FREE AIR CORE



Capacitors are 250V 5% Polypropylene
 Resistors are 5% 10 Watt Wire-Wound
 Inductors are 18ga

Speaker Wires are 18" of 18ga
 Terminations are .250 x .032 Quick-Disconnects

KRK Systems, LLC 5452 Business Drive Huntington Beach, CA 92649

Drawn By: L. Altman

Title	Schematic, 7000B	
Size	Document Number	Rev
A	SD-040000-00	1
Date:	Thursday, April 05, 2001	Sheet 1 of 1