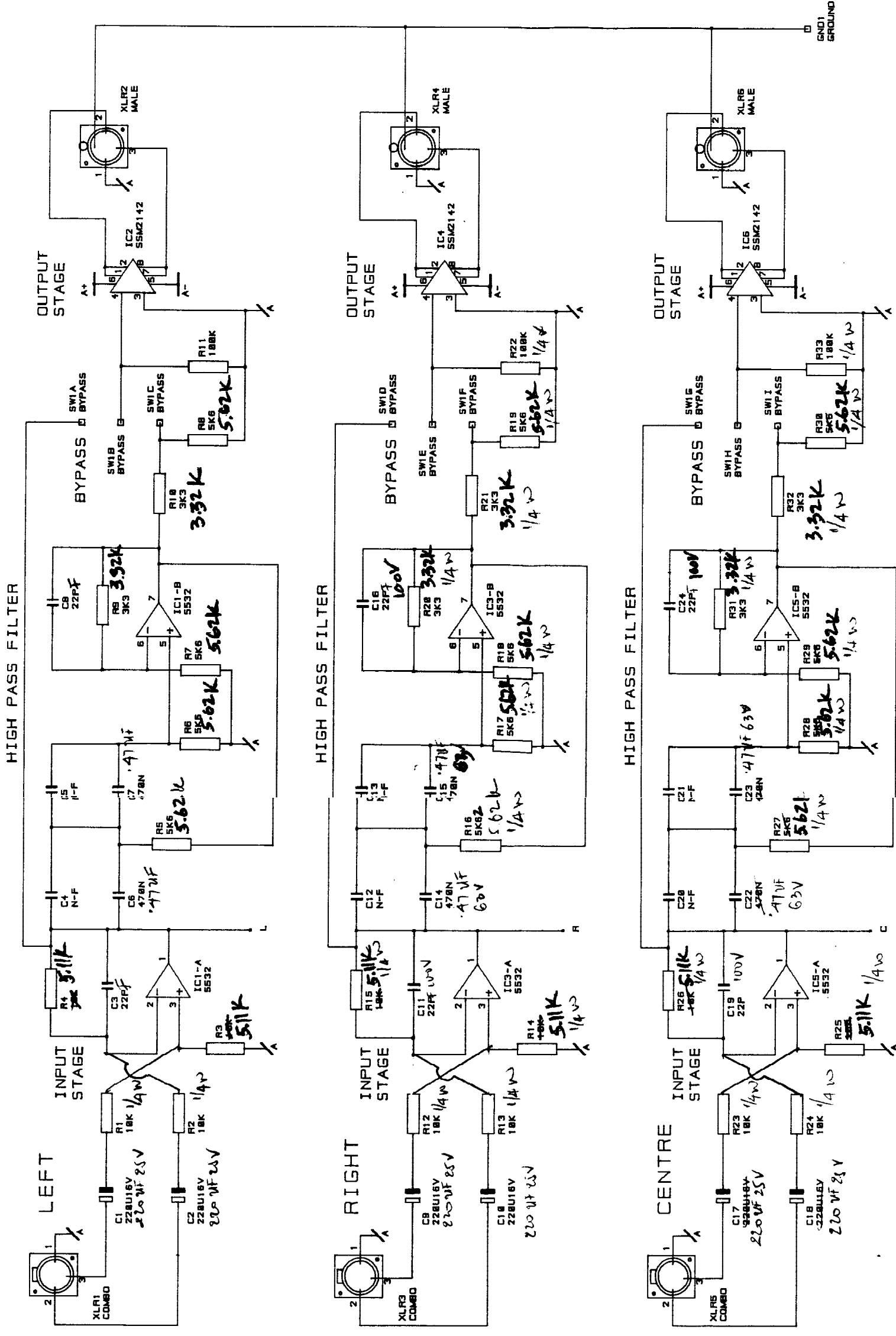


# KRK Systems, LLC. RoK BoTTOM Input/Output Schematic

RoK Bottom Input/Output Schematic



For private use. May not be distributed or shared.

